

PRODOTTI / RICAMBI
PRODUCTS / SPARE PARTS
PRODUITS / PIÈCES DÉTACHÉES
PRODUKTE / ERSATZTEILE
PRODUCTOS / REPUESTOS

Victoria Arduino



dal 1905

ESPLOSI 10-2019

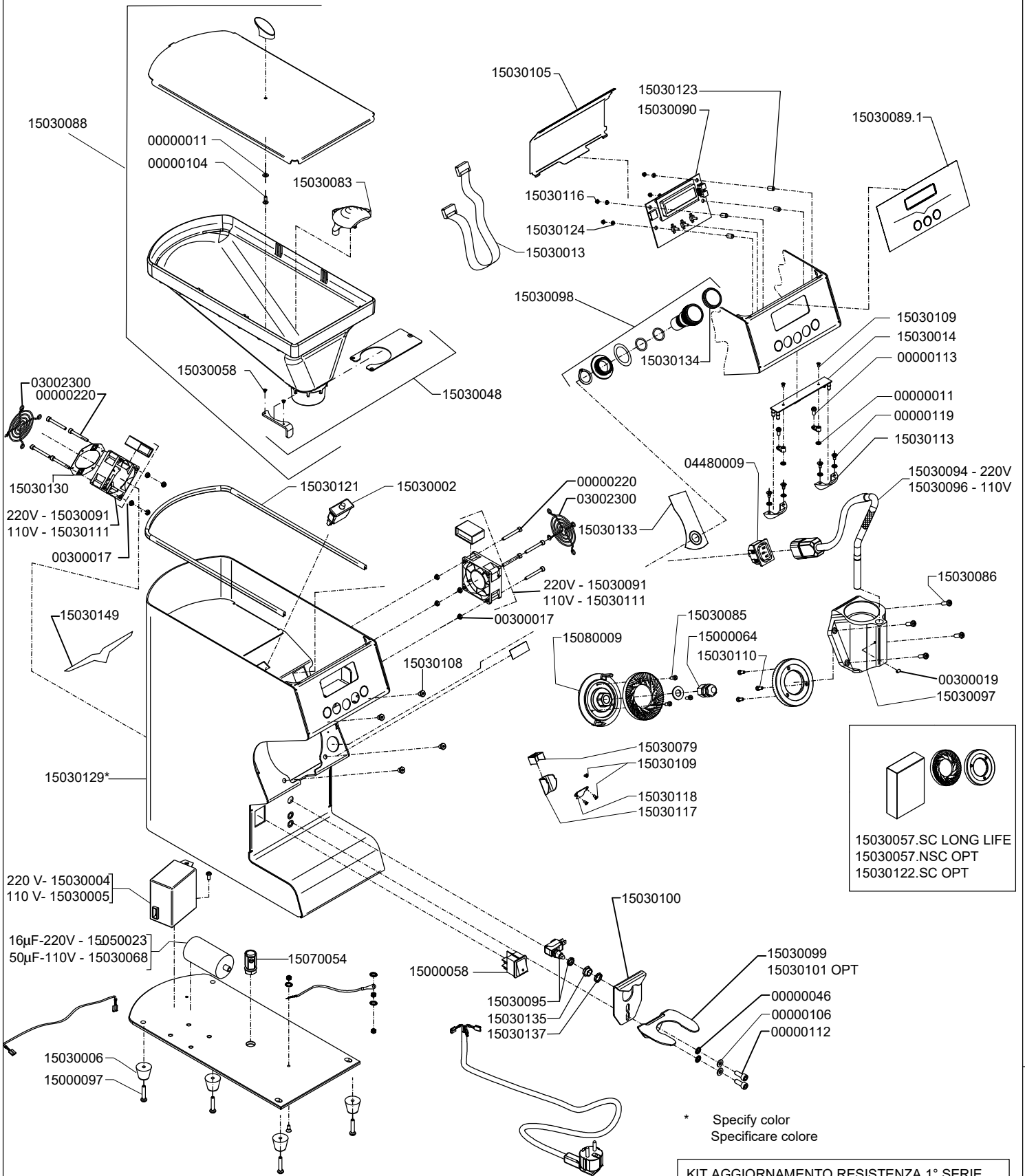


MYTHOS ONE

MYTHOS ONE

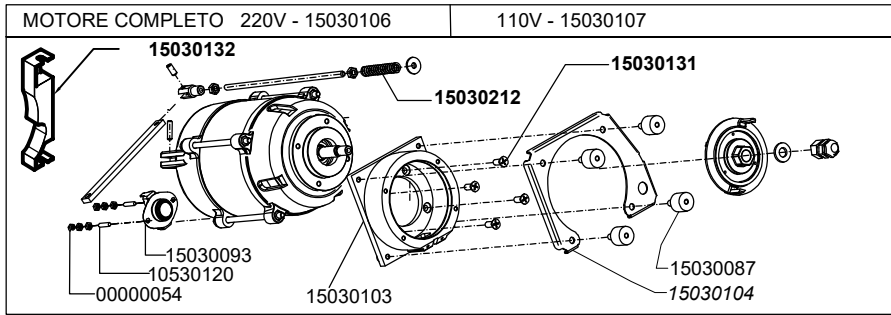
M
Y
T
H
O
S

O
N
E



15030057.SC LONG LIFE
15030057.NSC OPT
15030122.SC OPT

* Specify color
Specificare colore



KIT AGGIORNAMENTO RESISTENZA 1° SERIE
UPDATE HEATING ELEMENT 1° SERIES

15030114 - 220V UNTIL SERIAL No. AA-7869-14
15030115 - 110V UNTIL SERIAL No. 359856



CODICE	DESCRIZIONE	DESCRIPTION	DATA FINE VALIDITA'	
00000011	RONDELLA INOX M4 ZIGRINATA UNI8842/A	STAINLESS STEEL KNURLED WASHER D4		M Y T H O S O N E
00000046	RONDELLA AQ M6 6,4X12,5X1,6 Z.	WASHER ZINC M6 6,4X12,5X1,6		
00000054	DADO AQ M4 ALTO ZINCATO	NUT M4 HIGH GALVANISED NUT		
00000104	VITE INOX M4x10 TSP TCR DIN965	SS CROSSHEAD COUNTERSUNK SCREW M4x10		
00000106	RONDELLA ZIGRINATA DIAM 6	MILLED WASHER DIAM. 6		
00000112	VITE INOX M6x20 TCEI UNI 5931	SS SOCKET SCREW M6x20 UNI 5931		
00000113	VITE INOX M4x6 TC T.CR. 7985	SS CROSS HEAD CAP SCREW M4x6		
00000119	VITE INOX M4x6 TSPTCR ISO 7046	SS CROSS HEAD COUNTERSUNK SCREW M4x6		
00000220	VITE INOX M4x45 TCEI TUTTO FILETTO	SS SOCKET SCREW M4x45		
00300017	DADO AUTOBLOC INOX M4 BASSO DIN985	SELF-LOCKING STAINLESS STEEL NUT M4 HIGH DIN 982		
00300019	GRANO INOX M4x6 UNI 5923 PP	STAINLESS STEEL DOWEL M4X8 5923		
03002300	GRIGLIA METALLICA x VENTILAT. 60x60 GM60	METAL GRILLE FOR FAN GM60		
04480009	PRESA IEC DA INCASSO 3 POLI FASTON 6,3 10A FEMMINA	PLUG IEC F		
15000058	INTERRUTTORE MONOF.L.	SWITCH		
15000064	DADO FERMA PORTAMACINE	SPIRAL FOR BLADES-BEARER		
15000097	VITE AQ M5x25 TC. T.CR. ZINC.	SCREW AQ M5x25 TC. T.CR. ZINC.		
15030002	MICROSW SICUREZZA	SAFETY MICROSWITCH MYTHOS		
15030004	ALIMENTATORE 220V	220 V FEEDER FOR MYTHOS 4110.0002		
15030005	ALIMENTATORE 110V	110 V FEEDER FOR MYTHOS		
15030006	PIEDINO GOMMA	FOOT MYTHOS		
15030013	CAVETTO 10 VIE	10-WAY CABLE FOR MYTHOS		
15030014	MODULO PORTALE COMPLETO DI CAVETTO 4110.0009	MODULE LED MYTHOS		
15030048	GHIGLIOTTINA COMPLETA	COMPLETE GUILLOTINE		
15030057.NSC	COPIA MACINE D.75 MYTHOS LONG LIFE NANOTECH + SCATOLA	PAIR OF MYTHOS GRINDERS 75 mm LONG LIFE NAN.		
15030057.SC	COPIA MACINE D.75 LONG LIFE MACMYTHOSLOW CP	PAIR OF MYTHOS GRINDERS 75 mm LONG LIFE		
15030058	VITE INOX M3x5 TSP TCR	SS SCREW M3x6		
15030068	CONDENSATORE 50mF x MYTHOS LOW-SPEED 110V	CONDENSER 50 mF		
15030079	FRANGIA CLUMP CRUSHER MYTHOS sp.0,19	DISPERSION NUT FLANGE "CLUMP CRUSHER"		
15030083	CHIUSURA SICUR.CAMPANA	BELL SAFETY COVER MYTHOS 5101.0014		
15030085	VITE INOX M4x10 TCT(-) TESTA TAGLIO FISS. MACINE	GRINDER ASSEMBLY SCREW M4X10		
15030086	VITE INOX M5x16 TC BOMBATA FISS. PORTA MACINE	BOTTOM GRINDER ASSEMBLY SCREW M5X16		
15030087	ANTIVIBRANTE D20xH15xL=16 M6 M/F	VIBRATION DAMPER 20x15 M6 M/F		
15030088	CAMPANA COMP.	COMPLETE BEAN HOPPER		
15030090	DISPLAY CON SCHEDA	DISPLAY FOR MYTHOS ONE WITH BOARD		
15030091	VENTOLA MYTHOS ONE 230V	MYTHOS ONE FAN 230V		
15030092	CONDENSATORE VENTOLA	MYTHOS ONE FAN CONDENSER		
15030093	TERMOSTATO VENTOLA	MYTHOS ONE FAN THERMOSTATE		
15030094	RESISTENZA COMPL.	MYTHOS ONE CARTRIDGE HEAT. ELEMENT 220V		
15030095	MICROSW ATTIV. MACIN.	MYTHOS ONE MICROSWITCH		
15030096	RESISTENZA + PRESA	MYTHOS ONE CARTRIDGE HEAT. ELEMENT 110V		
15030097	PORTAMAC. SUP.	UPPER GRINDER HOLDER CROME - (NO TAMPER)		
15030098	POMELLO REGISTRO MACIN. AZZERABILE	MYTHOS ONE GRINDER REGISTER HANDLE		
15030099	FORCELLA INOX	SS MYTHOS ONE FORK		
15030100	AGGANCIO PORTAFILTRO	MYTHOS ONE SUPPORT FOR FILTER HOLDER		
15030101	FORCELLA INOX MYTHOS BARISTA/BASIC/ONE	SS MYTHOS BARISTA/BASIC/ONE FORCK		
15030103	TESTINA	MYTHOS HEAD CROME		
15030104	SUPPORTO TESTINA	MITHOS ONE HEAD SUPPORT		
15030105	PROTEZIONE SCHEDA	CIRCUIT BOARD PROTECTION - MYTHOS ONE		
15030106	MOTORE COMPLETO LOW -SPEED 220V	MYTHOS ONE COMPLETE 220 V LOW-SPEED MOTOR		
15030107	MOTORE COMPLETO LOW -SPEED 110V	MYTHOS ONE COMPLETE 110 V LOW-SPEED MOTOR		
15030108	VITE AQ M6x8 TCEI RIBAS.BN1206 BRUNITA	STEEL SOCKET SCREW M6X8 MYTHOS ONE		
15030109	VITE INOX M3x6 TSP TCR	SS CROSS HEAD COUNTERSUNK SCREW M3x6		
15030110	VITE INOX M4x8 TESTA TAGLIO	GRINDER ASSEMBLY SCREW M4X8		
15030111	VENTOLA MYTHOS ONE 115V	MYTHOS ONE FAN 115V		
15030113	COPERCHIO LED	COVER LED MYTHOS ONE		
15030114	KIT RESISTENZA 220V	MYTHOS ONE 1° VERSION CAR. HEAT. ELEMENT 220V		
15030115	KIT RESISTENZA 110V	MYTHOS ONE 1° VERSION CAR. HEAT. ELEMENT 110V		
15030116	DADO AUTOBLOC M3	SELF-LOCKING NUT M3		
15030117	CANALETTO USCITA CAFFE' T.N.	COFFEE SPOUT N.V. MYTHOS		
15030118	FERMAGLIO CLUMP CRUSHER T.N.	DISPERSION NUT FLANGE CLIP N.V. "CLUMP CRUSHER"		
15030120	DISTANZIALE TERMOSTATO MOTORE	DISTANCE FAN THERMOSTATE		
15030121	PERNO INGRANAGGIO MCF 23010009	GEAR PIN MCF 23010009		
15030122.SC	COPIA MACINE D.75 MYTHOS "RED SPEED" + SCATOLA	PAIR OF MYTHOS GRINDERS 75 mm "RED SPEED"		
15030123	DISTANZIALE H=11 DIAM. INT.3,5	SPACER H=11 DIAM. INT.3,5		
15030124	DISTANZIALE H=2 DIAM. INT.3,5	SPACER H=2 DIAM. INT.3,5		
15030129.BP	CORPO MYTHOS ONE BIANCO PERLA	BODY MYTHOS ONE PEARL WHITE		
15030129.NO	CORPO MYTHOS ONE NERO OPACO	BODY MYTHOS ONE MATT BLACK		
15030130	PIASTRINA VENTOLA	FAN PLATE		
15030131	VITE INOX M6x16 TSP T.CR.	STAINLESS STEEL SCREW M6x16 TSP T.CR.		
15030132	VERTEBRA SUPPORTO MOTORE	ENGINE SUPPORT		
15030133	ETICHETTA REGOLAZ. MACINATURA	GRINDING ADJUSTMENT LABEL		
15030135	DADO GUIDA MICRO ATTIV. MACIN.	NUT MICRO GRINDER ACTIVATION GUIDE		
15030137	DADO GUIDA MICRO ATTIV.	NUT MICRO ACTIVATOR GUIDE		
15030149	ETICHETTA "VICTORIA ARDUINO"	LABEL "VICTORIA ARDUINO"		
15030212	MOLLA TIRANTE REG. MACINATURA	PULLING SPRING REG. GRINDING		
15050023	CONDENS. 16mF 450V 40x70 UL FASTON M6,3 CODOLO M8x10	CONDENSER 16 mF		
15070054	FERMACAVO DA PANNELLO MM. 13	PANEL CABLE MM. 13		
15080009	PORTAMACINA INFERIORE 75	BOTTOM GRINDER 75		
15030089.1	PULSANT.MYTHOS ONE V.ARDUINO	V.ARDUINO MYTHOS ONE TOUCH PAD		